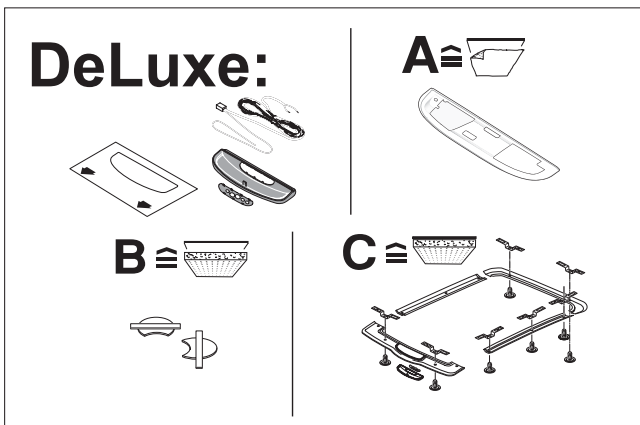
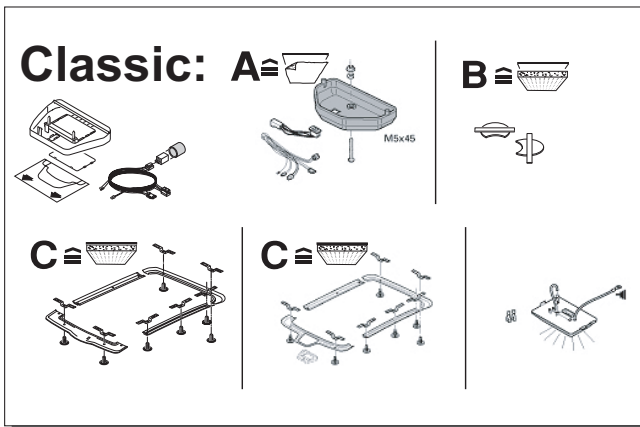
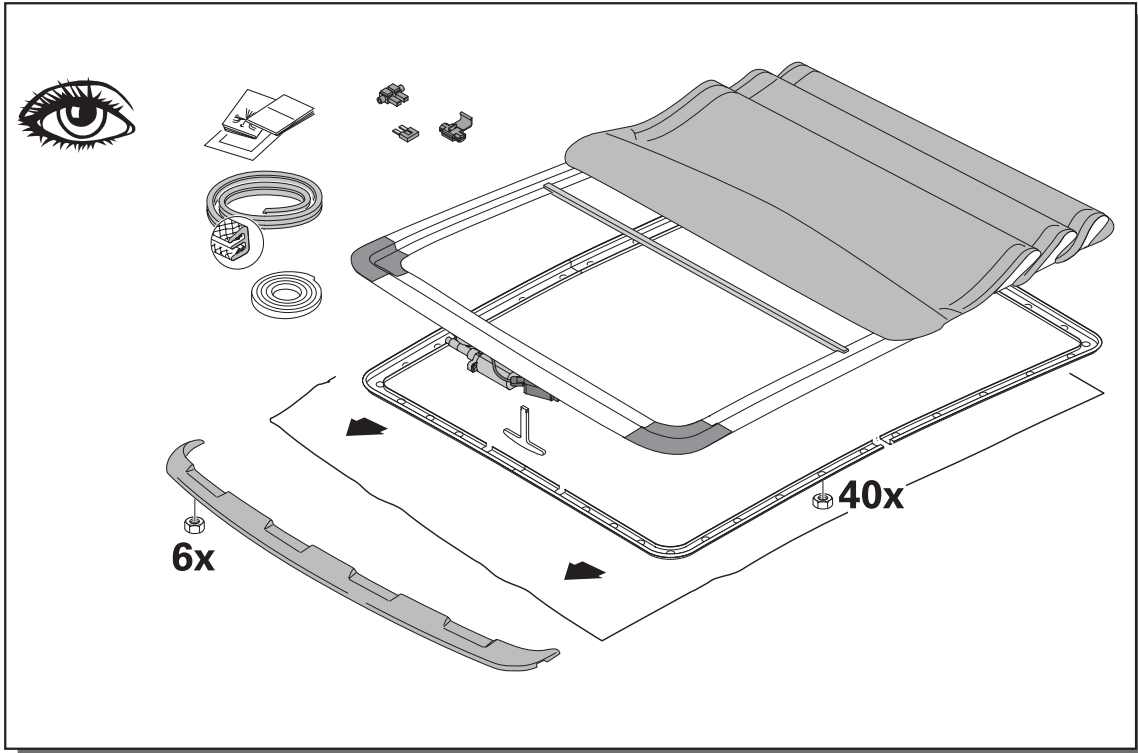


# Installation Instructions

Doc. no.: 2807041B  
Date: 18-December-2006

# Hollandia 400

## Instaling Hollandia 400 Classic / DeLuxe



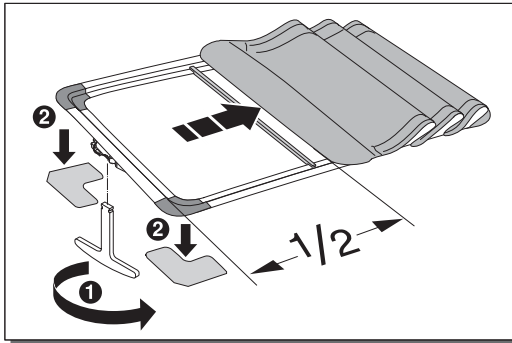
# Installation Instructions

Doc. no.: 2807041B  
Date: 18-December-2006

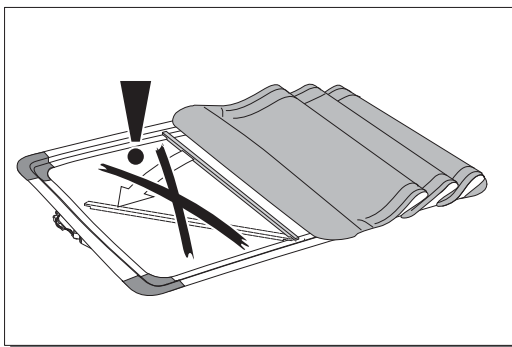
## Hollandia 400

Check all available parts in kit.

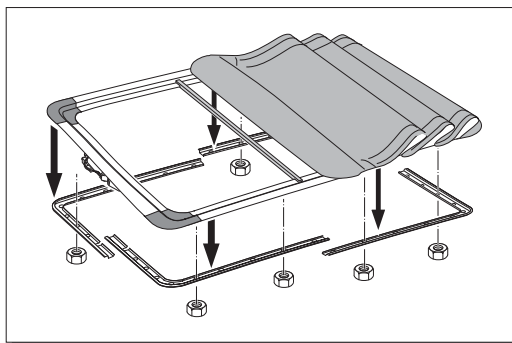
Use emergency key to open sunroof half-way and remove red LH and RH instruction labels.



Do not remove distance bar!  
Distance bar may only be removed after sunroof is installed and clamp frame is fixed properly.



Unscrew nuts that are holding clamp frame and take clamp frame parts away.

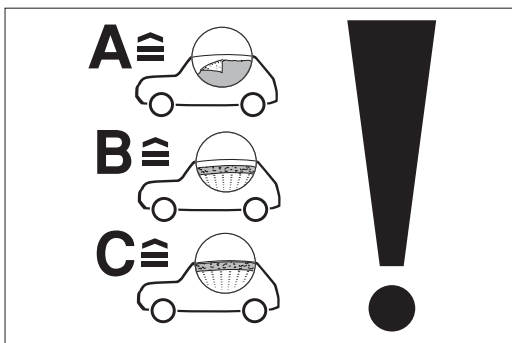


Determine headlining type of vehicle:

A: Soft wrap

B: Hard headlining not glued to roof skin

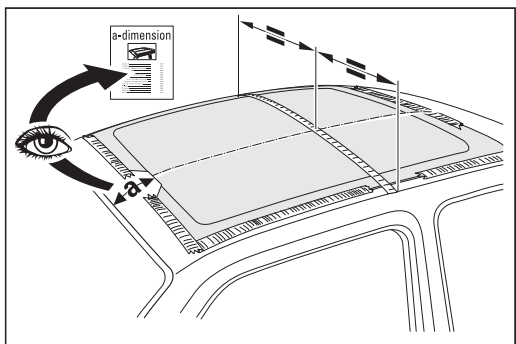
C: Hard headlining glued to roof skin



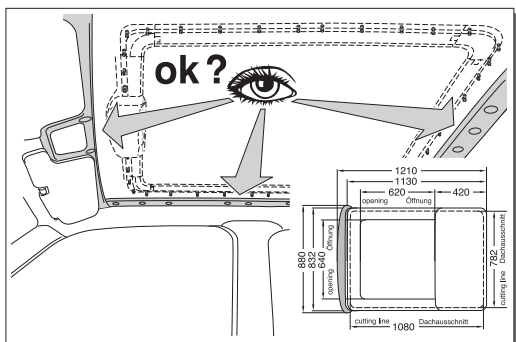
# Installation Instructions

Doc. no.: 2807041B  
 Date: 18-December-2006

# Hollandia 400



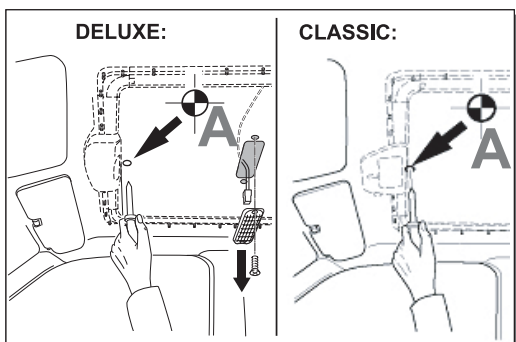
Place paper cutting template on car roof and check correct cutting dimension (front distance).



If there is no installation information, determine correct position of sunroof.

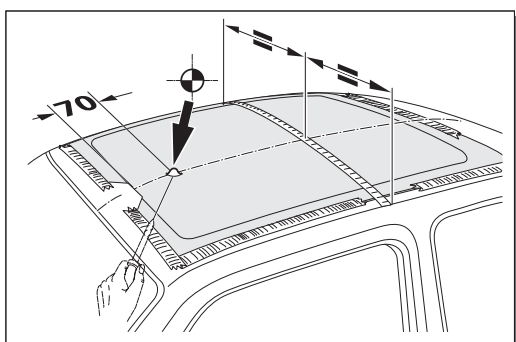
Check if there is enough space inside vehicle to place sunroof frame. Look especially at interior lights, sun visors, shape of headlining.

Check outside, if an antenna etc. has to be repositioned.



Place motor cover at good position in respect to sun visors, etc. Push awl along rear of motor cover to make dent in car roof.

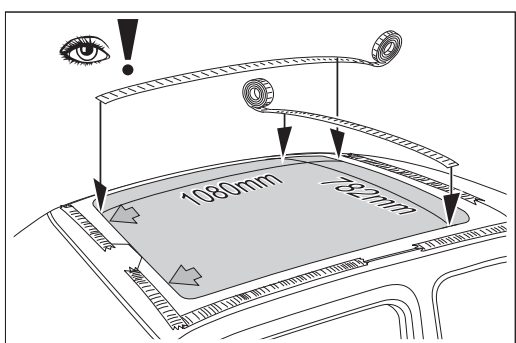
This marks the correct position of paper cutting template.



Cut out marked line at front of cutting template and place template on car roof. Cutting line lays 70 mm in front of dent.

Check with measuring tape if template is placed in center.

Inform your local importer about new gathered installation information.



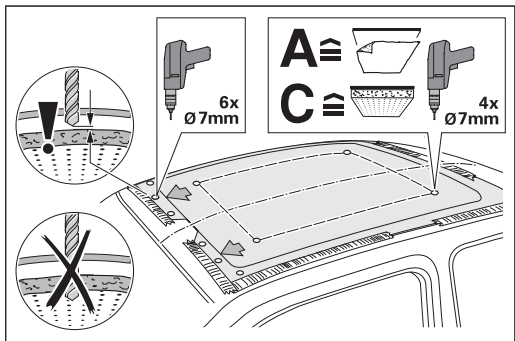
Attach template to car roof and check dimensions of cutting line.

Correct dimensions: 1080 x 782 mm.

# Installation Instructions

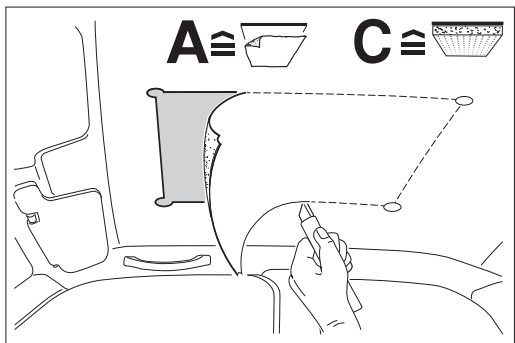
Doc. no.: 2807041B  
Date: 18-December-2006

# Hollandia 400

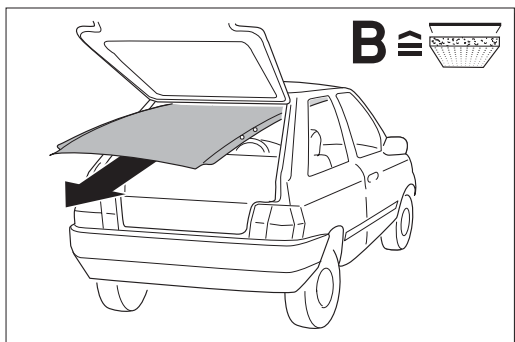


### Headlining A/C:

Drill 4 holes through roof skin and headlining of car roof at marked positions. Drill 6 holes through roof skin for the external wind deflector. Do not drill through headlining or sunvisors!

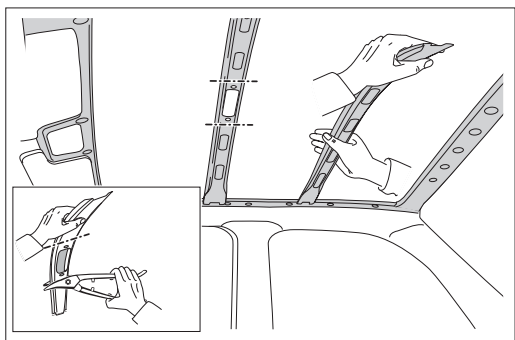


Draw imaginary line between 4 holes and cut out headlining with sharp knife.

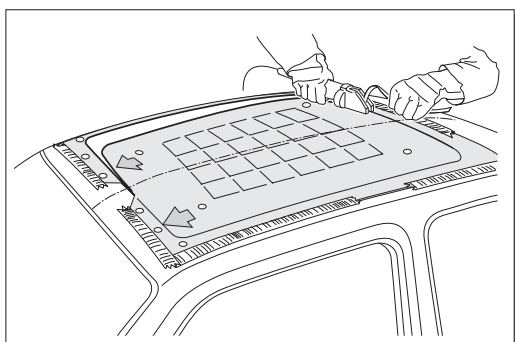


### Headlining B:

Take headlining carefully out of vehicle. It might be necessary to remove sun visors, grips and interior lights first.



If necessary, remove existing roof stiffeners. If applicable, keep part of roof stiffener to reposition interior light.

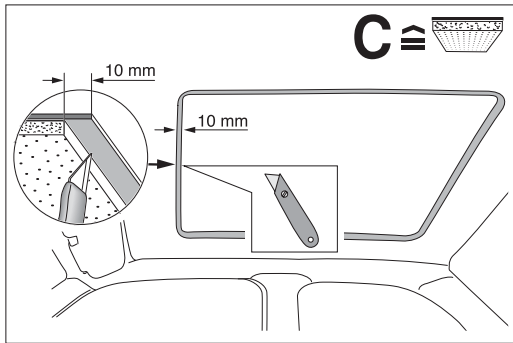


Cut hole in roof skin. Depending on tool used, it might be necessary to cut hole in two sessions to reduce tension in car roof.

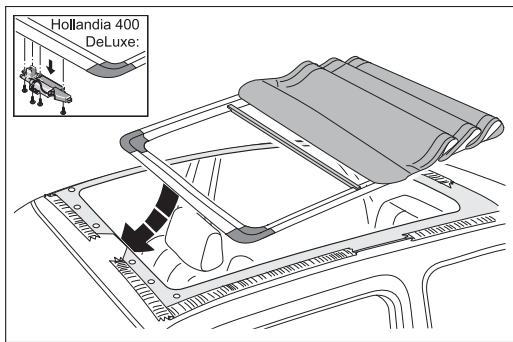
# Installation Instructions

Doc. no.: 2807041B  
Date: 18-December-2006

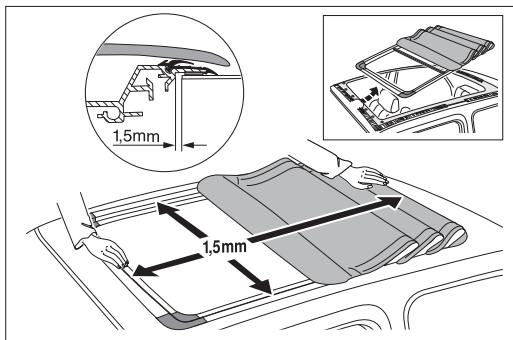
## Hollandia 400



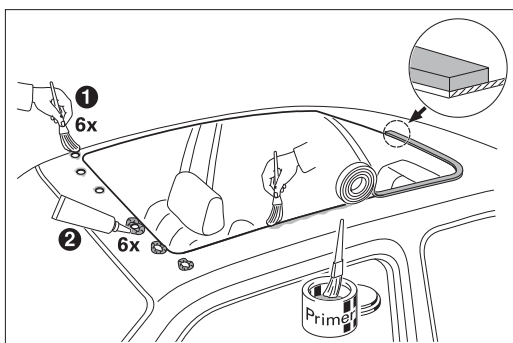
**Headlining C:**  
Cut back headlining by 10 mm.



**DeLuxe:**  
Remove motor and Sunroof Control unit.  
Place sunroof in roof aperture.

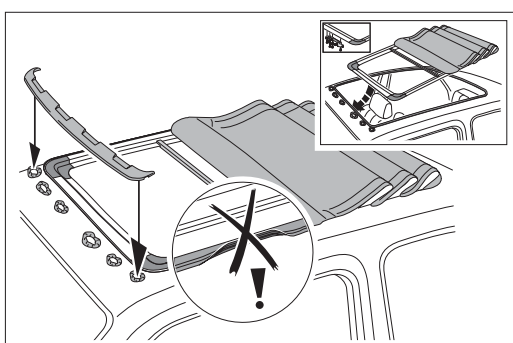


Check if sunroof has approximately 1.5 mm space on all sides. Rework cutting line if space is not sufficient. Re-check by placing sunroof in aperture again.



Apply anti corrosion primer to cutting edge and wind deflector holes. Apply foam strip along aperture.

Apply mastic around wind deflector holes.



Place sunroof in aperture.

Do not re-install motor and Sunroof Control Unit yet (DeLuxe).

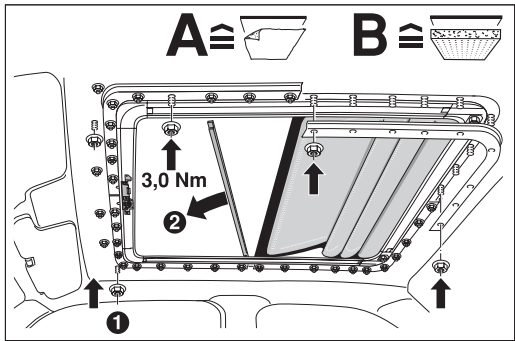
Check if rubber frame seal is placed correctly.

Place wind deflector and tighten 6 nuts.

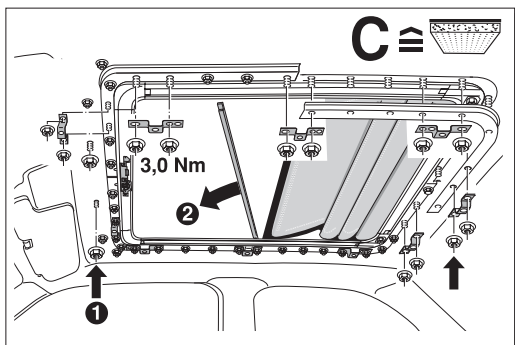
# Installation Instructions

Doc. no.: 2807041B  
Date: 18-December-2006

## Hollandia 400

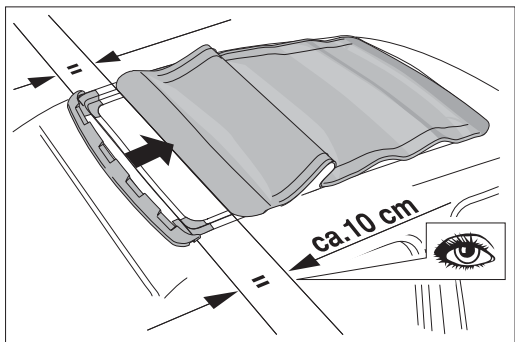


Mount wind deflector and clamp frame nuts.  
Maximum torque of clamp nuts may not exceed 3.0 Nm.



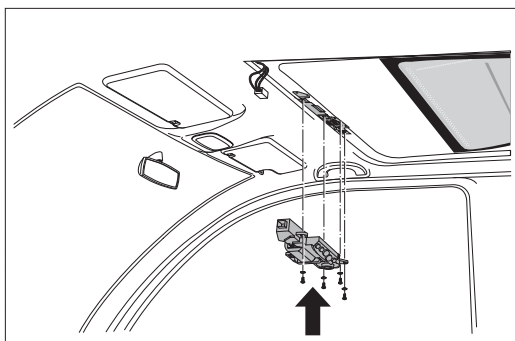
**Headlining C:**  
Attach 10 additional brackets when mounting nuts.

When all clamp frame nuts are fixed correctly, remove distance-bar.



When all clamp frame nuts are fixed correctly, remove distance-bar.

Open sunroof approximately 10 cm and check whether top cover is sliding parallel.



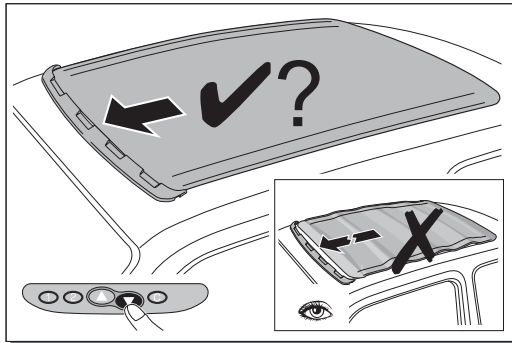
**DeLuxe:** Install motor and Sunroof Control Unit back in place.



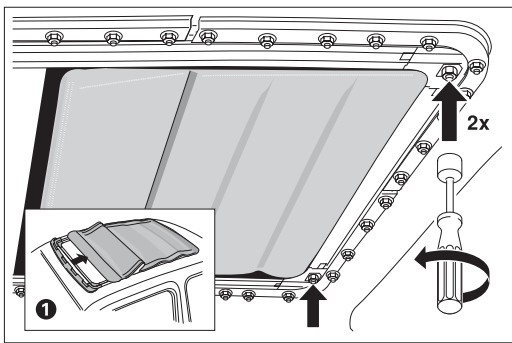
# Installation Instructions

Doc. no.: 2807041B  
Date: 18-December-2006

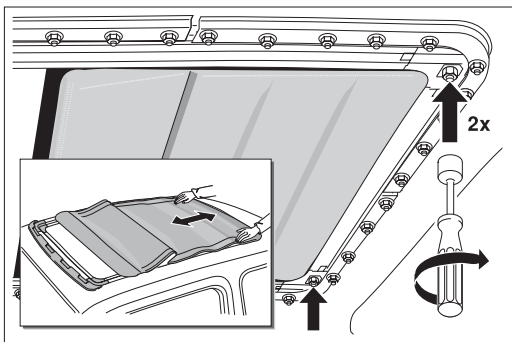
## Hollandia 400



Check if sunroof is closing correctly and if top cover is placed tight against frame seal.



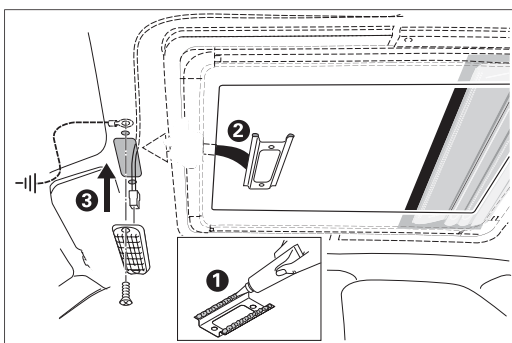
If not: open sunroof a little to release tension of top cover and loosen two rear nuts.



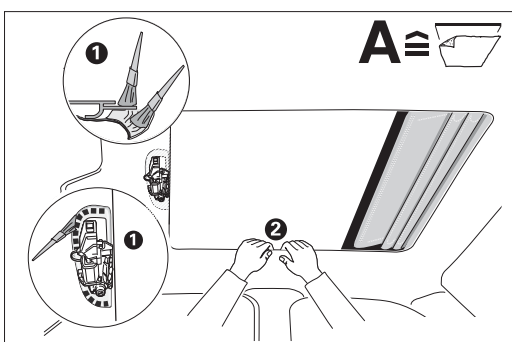
Move top cover forwards or rearwards depending on situation. Sliding nuts forwards will reduce top cover tension.

Fix two rear nuts and check if tension of top cover is correct.

Repeat if necessary.



Reposition interior light if necessary. Using fixing plate of roof stiffener can be helpful.



### Headlining A:

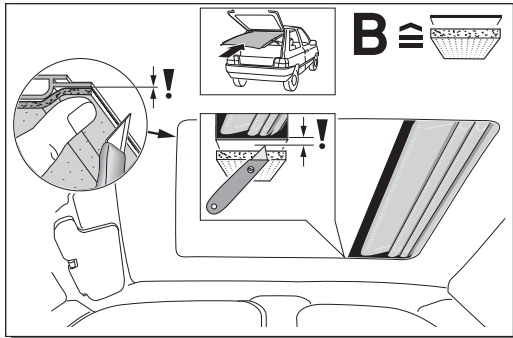
Apply glue to headlining material, frame and sunroof bracket. Stretch headlining material and fold it over frame aperture. If applicable, cut away any extra headlining material.



# Installation Instructions

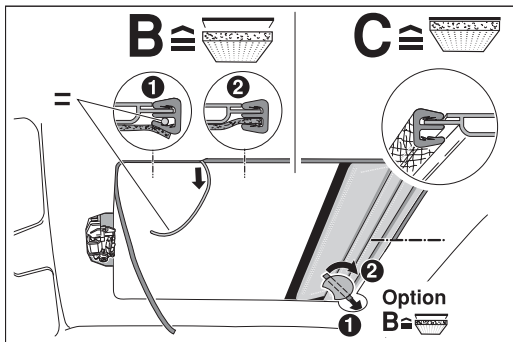
Doc. no.: 2807041B  
Date: 18-December-2006

## Hollandia 400



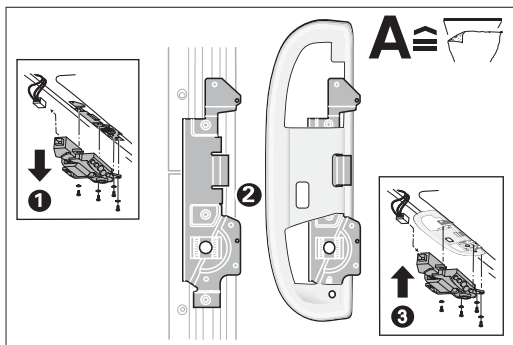
### Headlining B:

Place headlining back in vehicle. Push headlining against frame and cut out headlining parallel with frame. Be careful while cutting out headlining at rear. Do not cut folding roof!



### Headlining B/C:

Place headlining in rubber seal. Pulling at rubber wire will push bottom lip downwards to ease installation. Mount optional rear cover set to have better access to nuts of top cover adjustment.



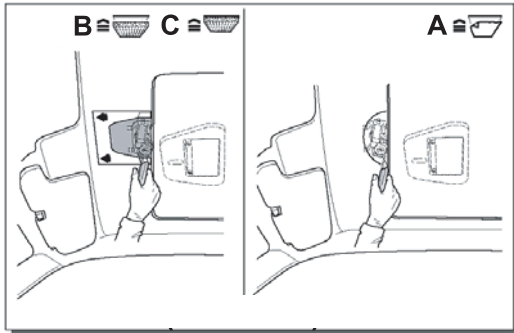
### DeLuxe, headlining A:

Remove motor again and mount soft wrap bracket. Re-install motor.

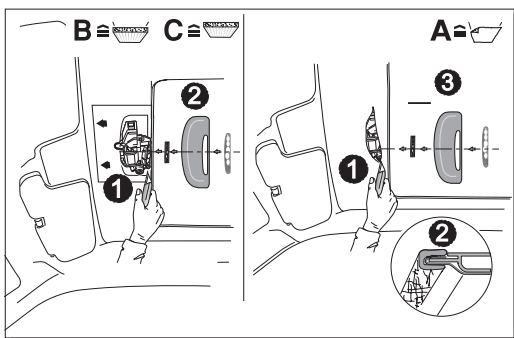
# Installation Instructions

Doc. no.: 2807041B  
Date: 18-December-2006

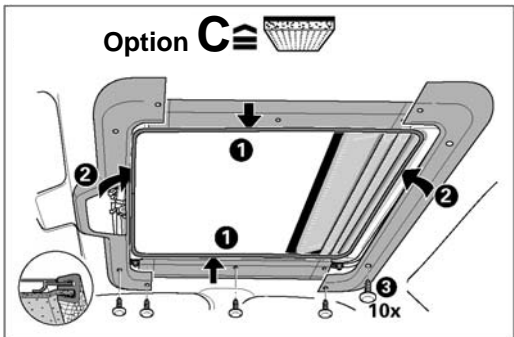
## Hollandia 400



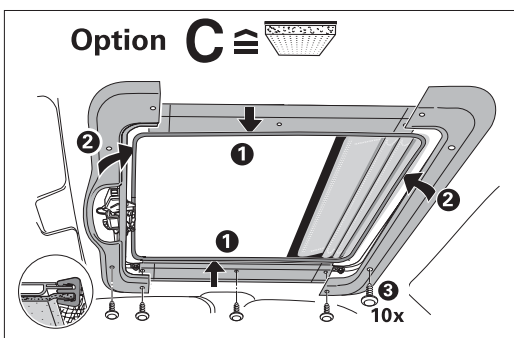
Hollandia 400 Classic



Hollandia 400 DeLuxe



Hollandia 400 Classic



Hollandia 400 DeLuxe

### Headlining A:

Cut away extra headlining material. Mount velours label, motor cover and control panel.

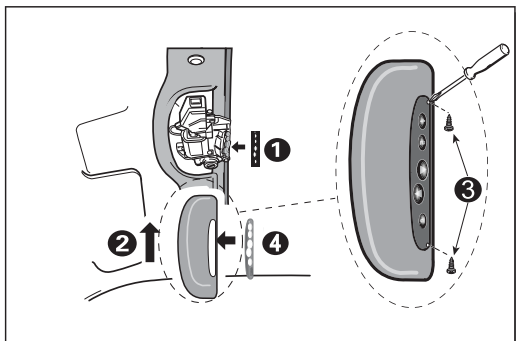
### Headlining B/C:

Use special motor template to cut out headlining at front. Mount velours label, motor cover and control panel.

### Headlining C:

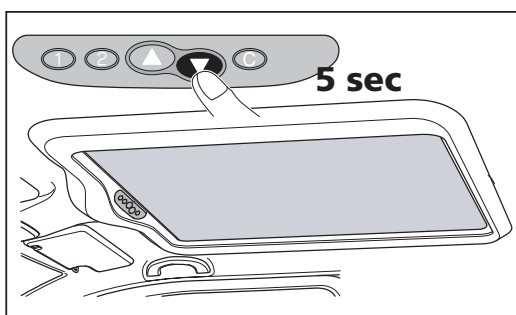
Place side headlining covers and fix them in middle with 1 plug. Place front and rear headlining cover and fix remaining plugs.

### DELUXE:



Place motor cover and fix it with two small Parker screws.

Place control panel cover.



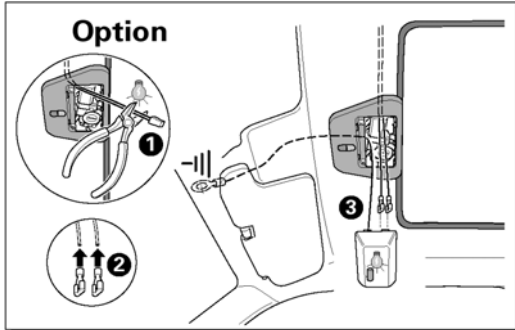
For calibrating purposes press ▾ button for at least 5 seconds.

# Installation Instructions

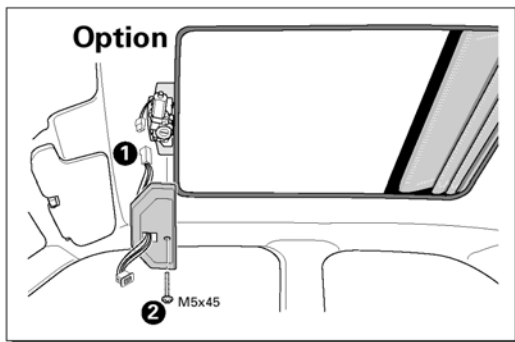
Doc. no.: 2807041B  
Date: 18-December-2006

# Hollandia 400

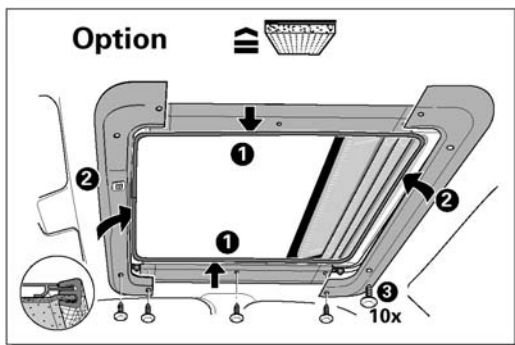
## CLASSIC:



Mount optional interior light.



Optional smaller motor cover for soft wrap installation.



Hard headlining cover with integrated motor cover.