

**Standklimaanlage
Parking Cooler
Climatiseur de toit
autonome
Condizionatore da
parcheggio
Aire Acondicionado
autónomo
Standairco
Klimatyzacja postojowa
Nezávislá klimatizácia**

**Einbauanweisung
Installation Instructions
Notice de montage
Istruzioni di montaggio
Instrucciones de montaje
Montagehandleiding
Instrukcja montażu
Návod na montáž**

Cool Top Vario 10 E



To install and repair Webasto heating and cooling systems you need to have completed a Webasto training course and have the appropriate technical documentation, special tools and special equipment.

Only genuine Webasto parts may be used.



NEVER try to install or repair Webasto heating or cooling systems if you have not completed a Webasto training course, you do not have the necessary technical skills and you do not have the technical documentation, tools and equipment available to ensure that you can complete the installation and repair work properly.

ALWAYS carefully follow Webasto installation and repair instructions and heed all WARNINGS.

Webasto rejects any liability for problems and damage caused by the system being installed by untrained personnel.

GB Table of Contents

1	General information	10
1.1	Contents and purpose	10
1.2	Meaning of signal words	10
1.3	Additional documents to be used	10
1.4	Description of parking cooler	10
1.5	Conditions for installation	10
2	Safety	11
2.1	General safety precautions	11
2.2	Exclusion of liability	11
2.3	Proper use	12
2.4	Improper use	12
3	Installation	13
3.1	Delivery scope	13
3.1.1	Cool Top Vario 10 E Parking cooler	13
3.1.2	Installation kit	13
3.2	Electrical connection	14
3.3	Mechanical installation	14
3.4	Put parking cooler into operation	15
3.5	Advanced settings	15
3.5.1	Setting of the switch-off limit for low battery voltage (F1)	16
3.5.2	Setting of the switch-on limit for low battery voltage (F2)	16
3.5.3	Setting of the minimum display brightness (F3)	16
3.5.4	Setting of the maximum display brightness (F4)	16
3.6	Treatment of surfaces	17
4	Environment	18
4.1	Disposing of packaging	18
4.2	Disposing of used parts	18
5	Technical Data	18

1 General information

1.1 Contents and purpose

These installation instructions contain important information on installation, commissioning and troubleshooting of the Cool Top Vario 10 E parking cooler.

1.2 Meaning of signal words

In these instructions the signal words **DANGER**, **CAUTION**, **NOTE** and **ENVIRONMENTAL NOTE** have the following meaning:

**DANGER**

Danger to life and limb.

**CAUTION**

Danger of damage.

**NOTE**

This heading is used to point out a special feature or aspect.

**ENVIRONMENTAL NOTE**

Information on environmental protection.

1.3 Additional documents to be used

For additional information, in particular on start-up and operation of the parking cooler, see the Cool Top Vario 10 E operating instructions.

1.4 Description of parking cooler

The parking cooler is mounted on top of a lorry driver's cab in place of an existing roof hatch.

The Cool Top Vario 10 E parking cooler cools the driver compartment of the lorry driver's cab according to the recirculating air principle: Warm air is sucked in from the driver compartment, cooled by the heat exchanger of the parking cooler and routed back into the driver compartment. The operation of the parking cooler does not result in any fresh air being fed in.

To prevent the vehicle battery from being too heavily drained by the operation of the parking cooler, the parking cooler is equipped with a battery protection function. The voltage value at which the battery protection function switches off the parking cooler can be set.

1.5 Conditions for installation

Time required: Approximately two to three working hours. At times two persons are required for installation (mounting and aligning the parking cooler).

A suitable lifting device is required to lift the parking cooler onto the roof of the lorry driver's cab. A travelling crane or forklift truck are best suited for this purpose. No further special tools are required for the installation.

2 Safety

2.1 General safety precautions



DANGER

Please read these installation instructions carefully before putting the parking cooler into operation. In particular, be sure to observe the following general safety precautions and the special safety precautions in the individual chapters.

The parking cooler may only be installed by persons who are authorised to carry out work on the electrical system or on the body of lorries.

At times, two persons are required to install the parking cooler.

Use a suitable lifting device to lift the parking cooler onto the vehicle roof.

Do not walk on the vehicle roof.

Do not make any technical changes to the parking cooler. The parking cooler may only be opened, repaired or serviced by instructed service personnel.

Do not operate the parking cooler if it is damaged externally.

Only wash vehicle equipped with the Cool Top Vario 10 E parking cooler if the upper washing brush has been switched off. Make sure that the parking cooler is switched off while washing the vehicle.

Make sure that the parking cooler is switched off before the driver's cab (e.g. maintenance work on the vehicle) is tilted.

If the Cool Top Vario 10 E parking cooler is tilted by more than 30° out of the normal position, (for example, during installation or when the driver's cab has been tilted), a waiting time of at least two hours must be complied with before switching it on. Otherwise, a malfunction can occur.

The parking cooler may only be used for the purpose described in Section 2.3, "Proper use".

Make sure that no flammable materials are located closer than 50 cm to the air outlet opening during operation.

Make sure that no flammable gases, liquids or other objects can get into the parking cooler.

If the parking cooler catches on fire, use a powder or foam extinguisher (not water).

Please note that following installation, the vehicle height may have changed and a corresponding change in the vehicle registration papers may be required.



ENVIRONMENTAL NOTE

Also observe the information on disposal.

2.2 Exclusion of liability

Webasto shall assume no liability for damage due to the following points:

- Use for any purpose other than those described in the operating instructions.
- Changes to the parking cooler without the explicit approval of Webasto.
- Damage to the parking cooler by external influences.

2.3 Proper use

**DANGER**

In case of improper use of the parking cooler, there is a danger of injuries or damage.

The Cool Top Vario 10 E parking cooler is intended for cooling lorry driver's cabs while parked. As a result, the environmentally harmful running of the engine to operate the vehicle air-conditioning system can be avoided.

The parking cooler can also be used during driving, however does not replace the vehicle air-conditioning system.

The parking cooler can be used independently of the operation of the vehicle air-conditioning system.

Optimum climate control and energy utilisation are achieved when the driver's cab is pre-cooled with the vehicle air-conditioning system before using the parking cooler.

Operate the Cool Top Vario 10 E approx. 5 minutes together with the vehicle air-conditioning system before using it while parked to dissipate stored heat.

2.4 Improper use

The parking cooler is not suitable for use in agricultural machines or construction machines.

3 Installation

3.1 Delivery scope

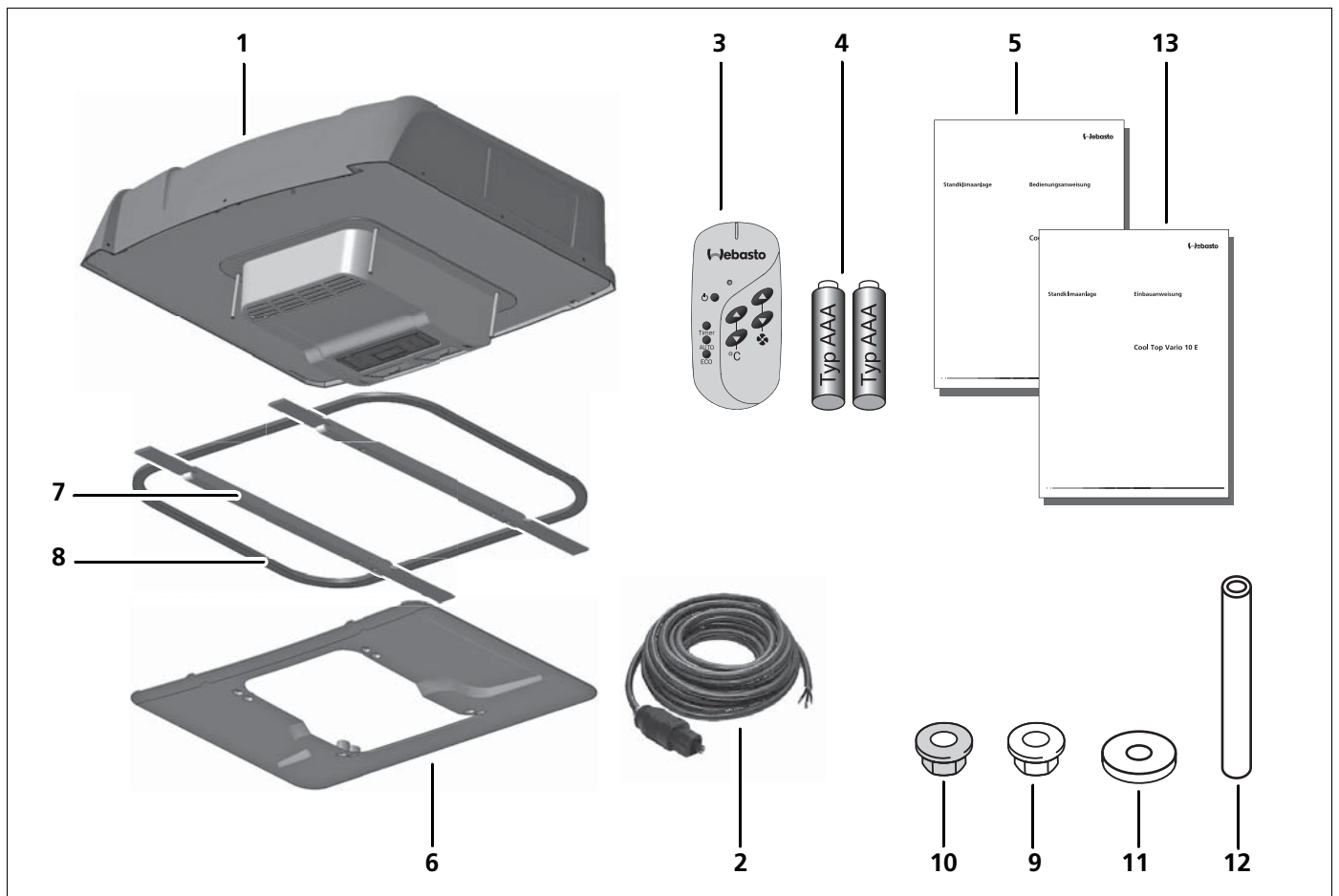


Fig. 1

3.1.1 Cool Top Vario 10 E Parking cooler

Item	Designation	Quantity
1	Parking cooler	1
2	Power supply cable, 5 m	1
3	Remote control	1
4	Type AAA battery	2
5	Operating instructions	1

3.1.2 Installation kit

Item	Designation	Quantity
6	Cabin cover	1
7	Mounting bar	2
8	EPDM seal	1
9	Nut, self-locking, M8 For Volvo: M8x40 screws, incl. cover caps	4 4
10	Nut, plastic, M8	4
11	Washer	4
12	Spacer sleeve For Volvo and Renault Premium For Scania	4 2 0
13	Installation Instructions	1

3.2 Electrical connection



SHORT CIRCUIT AND DANGER OF FIRE

Always disconnect the batteries before working on the electrical system.



CAUTION

The connection line for an electric roof hatch installed at the factory may not be used for the power supply of the parking cooler, as the line cross-section is not sufficient for this purpose. Use the power supply cable provided.

If the power supply cable provided must be extended, use cables with a sufficient line cross-section.

Do not route the power supply cable near signal lines or control lines.

Route the power supply cable so that no tensile loading is exerted on it during operation. Use strain-relief clamps if necessary.

Do not kink the power supply cable or route it over sharp edges. Use plastic grommets or a protective pipe if necessary.

The power supply cable of the parking cooler runs from the fuse box in the passenger footwell to the front of the parking cooler.

1. Disconnect batteries.
2. Remove the interior trim of the roof hatch.
3. Route the power supply cable from the fuse box in the passenger footwell to the front of the parking cooler and connect.
4. Connect the power supply cable to the parking cooler and the fuse box.



CAUTION

The connection of the parking cooler to the vehicle power supply must be carried out with a sufficiently dimensioned fuse (see DIN 72581).

3.3 Mechanical installation



ACCIDENT DANGER

When working on the vehicle roof there is a danger of accidents occurring from persons falling or from falling objects. Ensure secure holding of persons and raised loads during installation. Use only suitable lifting devices during installation. A travelling crane is best suited for this purpose.



ENVIRONMENTAL NOTE

Dispose of all waste resulting during installation in an environmentally friendly manner.

The parking cooler is mounted in place of an existing roof hatch.

Before installing the parking cooler, it must be checked whether the parking cooler can be operated together with a roof spoiler which may be present. If modifications are required, it must be noted that the vehicle homologation may be voided by removing, installing a new or modifying an existing roof spoiler. This requires an approval by a recognised test organisation. Contact the vehicle manufacturer, the manufacturer of the roof spoiler or a recognised test organisation for more detailed information on this subject. The parking cooler cannot be modified.

1. Remove the existing roof hatch together with all fastening parts and sealing materials.
2. Clean and degrease the sealing surface.
3. Glue on the EPDM gasket around the rear roof hatch cut-out in the centre beginning outside.
4. Cut off the start and end of the EPDM gasket with an angled cut so that the largest common cross-sectional area results.
5. Glue the cross-sectional areas of the EPDM gasket with windows sealant (butyl sealant).
6. Remove the protective film from the hood surface of the parking cooler.
7. Lift the parking cooler onto the roof of the driver's cab with a suitable lifting device.
8. Align the parking cooler centred to the right and left side and carefully place it on the roof hatch opening.
In case of any existing roof extension (e.g. aerial), position the parking cooler so that it is a sufficient distance from the roof extensions.
 - 8.1. For Scania: Move parking cooler 25 mm to left seen in driving direction.
9. Check whether the screw bolts are firmly screwed into the parking cooler.

10. Align the parking cooler on the inside roof trim of the vehicle. This can vary depending on the vehicle model.
11. Position the mounting bars on the screw bolts so that the greatest possible contact surface is provided at the front and rear. The mounting bars must be mounted between the inside roof trim and the roof skin.
12. Screw four self-locking nuts with washers onto the studs and tighten diagonally with 5 Nm.
13. Connect the power supply cable to the parking cooler.
14. Position spacer sleeves on all four screw bolt of the parking cooler.
 - 14.1. For Renault Premium: Two spacer sleeve are positioned on the front screw bolts of the parking cooler.
 - 14.2. For Scania: No spacer sleeves are used.
15. Place the interior trim provided on the studs and screw it on with four plastic nuts.
 - 15.1. For Volvo: Use four M8 screws. Mount cover caps on the screw heads.
16. Connect the power supply cable to the fuse box in the passenger footwell.
17. Connect the batteries and conduct an operating test.

**CAUTION**

If the Cool Top Vario 10 E parking cooler is tilted by more than 30° out of the normal position, at least 2 hours must be waited before switch-on. Otherwise, a malfunction can occur.

3.4 Put parking cooler into operation

For information on start-up and operation of the parking cooler, see the operating instructions.

3.5 Advanced settings

The advanced settings enable adjustment to special environmental conditions (F1, F2, F3, F4, F5) and service settings (F6, F7, F8).

The service menus (F6, F7, F8) should only be changed by trained service personnel.

The following advanced settings are possible:

- **F1**
Setting of the switch-off limit for low battery voltage
- **F2**
Setting of the switch-on limit for low battery voltage
- **F3**
Setting of the minimum display brightness
- **F4**
Setting of the maximum display brightness
- **F5**
Controller offset = temperature difference between target and actual temperature (six 1 °C steps).
- **F6**
Memory for communication status of parking cooler.
- **F7**
Memory for operating status of parking cooler.
- **F8**
Factory settings

To access the Settings menu:

1. Briefly press the On/Off button on the control panel to access the stand-by mode.
2. Press the Temperature + and Temperature – buttons on the control panel simultaneously.
3. The Settings menu is active. **F1** appears on the display.

To change between the settings F1 to F9, press the Temperature + or Temperature – button on the control panel. Then activate the desired setting by pressing the **Timer** button on the control panel.

To change the value of the selected setting, press the Fan + or Fan – button on the control panel.

3.5.1 Setting of the switch-off limit for low battery voltage (F1)

In this setting the voltage value is set at which the parking cooler is automatically switched off as soon as the value is dropped below.

- Setting range: 20.1 to 25.0 V.
- Factory setting: 23.5 V.

1. Call setting **F1**.
2. To change the value, press the Fan + or Fan – button on the control panel.
3. Confirm the desired value by pressing the **Timer** button on the control panel.



CAUTION

If the parking cooler is switched off due to low battery voltage, the battery must be recharged as soon as possible. If the battery continues to be discharged, the battery voltage may not be sufficient to start the engine.

3.5.2 Setting of the switch-on limit for low battery voltage (F2)

In this setting the voltage value is set at which the parking cooler can be switched on again (after an automatic switch-off due to low battery voltage has taken place).

- The switch-on voltage must be at least 1.5 V over the switch-off voltage.
- Setting range: 21.6 to 26.5 V.
- Factory setting: 25 V.

1. Call setting **F2**.
2. To change the value, press the Fan + or Fan – button on the control panel.
3. Confirm the desired value by pressing the **Timer** button on the control panel.

3.5.3 Setting of the minimum display brightness (F3)

The display brightness is automatically adjusted to the ambient brightness. The minimum display brightness can be set.

- Setting range: six levels, however not greater than the maximum brightness (F4).
- Factory setting: Level 2.

1. Call setting **F3**.
2. To change the value, press the Fan + or Fan – button on the control panel.
3. Confirm the desired value by pressing the **Timer** button on the control panel.

3.5.4 Setting of the maximum display brightness (F4)

The display brightness is automatically adjusted to the ambient brightness. The maximum display brightness can be set.

- Setting range: six levels, however not less than the minimum brightness (F3).
- Factory setting: Level 6.

1. Call setting **F4**.
2. To change the value, press the Fan + or Fan – button on the control panel.
3. Confirm the desired value by pressing the **Timer** button on the control panel.

3.6 Treatment of surfaces

The outside of the parking cooler consists of a PMMA surface. This can be painted with water-soluble paints (acrylic paints). For more detailed information on painting, we recommend contacting the paint manufacturer. The manufacturer of the parking cooler is not liable for damage caused by incorrectly executed painting. The surface should be painted with light colours if possible for optimum efficiency of the parking cooler.

The surfaces of the parking cooler can be cleaned with water (maximum of 70 °C) and a common household washing-up liquid.

Household cleaners can be used for heavier soiling. Observe the information of the cleaning agent manufacturer. However, do not use cleaning agents which contain chemical solvents or abrasive ingredients.

During cleaning, make sure that no liquid gets into the inside of the parking air conditioner.

4 Environment**ENVIRONMENTAL NOTE**

Also observe the official waste disposal regulations.

5 Technical Data

The technical data are contained in the operating instructions.

4.1 Disposing of packaging

Separate the packaging materials into cardboard and plastic.

Bring the sorted packaging materials to an appropriate recycling centre.

4.2 Disposing of used parts

Contact a specialist company for disposal of hazardous waste or contact Webasto to dispose of used parts.

Im Fall einer mehrsprachigen Version ist Deutsch verbindlich.

In multilingual versions the German language is binding.

Dans le cas d'une version rédigée en plusieurs langues, l'allemand est alors la langue qui fait foi.

Nel caso di una versione plurilingue il tedesco è vincolante.

Este manual esta traducido en varios idiomas, le informamos que sólo la versión en alemán será vinculante.

Bij een meertalige versie is de Duitse versie bindend.

W przypadku wersji kilkjęzycznej wiążący jest tekst w języku niemieckim.

V prípade nesúladu jazykových verzii je záväzná nemecká.

Webasto AG
Postfach 80
D - 82132 Stockdorf
Germany

National:
Hotline: 01805 93 22 78
(€ 0,14/Min. aus dem deutschen Festnetz)
Hotfax: 0395 5592 353
Hotmail: technikcenter@webasto.com
www.webasto.de

International:
www.webasto.com
<http://dealers.webasto.com>